

ADDENDUM NO. 2

May 14, 2018

Interim Housing
San Rafael High School
185 Mission Street
San Rafael, California

San Rafael City Schools
310 Nova Albion Way
San Rafael, California 94903

DSA Application No. 01-117538
DSA File No. 21-H1

SRCS Bid No. 18-03

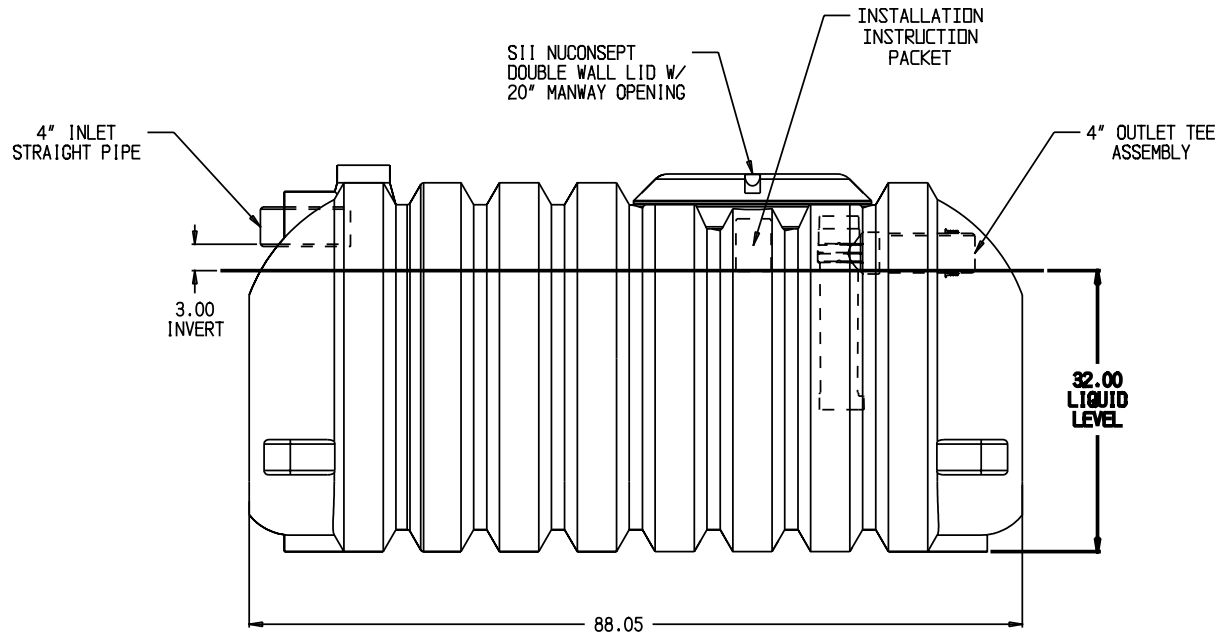
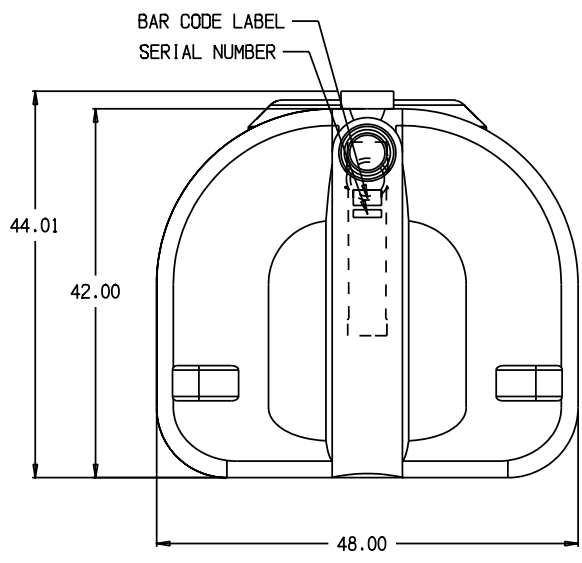
This addendum shall supersede all previously issued specifications, addenda, and drawings wherein this addendum contradicts previously issued documents. Unless All other conditions remain unchanged. The following changes, modifications, corrections, clarifications, and / or additions as set forth herein shall apply to the above documents and shall be made a part thereof and shall be subject to all the requirements thereof as though originally specified and / or shown. This addendum must be acknowledged on the bid form.

Bidder Question Responses:

- 2 - 1 Provide 500 Gal Snyder Septic Tank, or equal.
- 2 - 2 Wood foundations are the responsibility of the modular supplier.
- 2 - 3 All of the interior items are the responsibility of the modular supplier.
- 2 - 4 The gap closures are the responsibility of the modular supplier.
- 2 - 5 All work related to Alternate #1 (Covered Walkway) must be complete by September 28th, 2018.
- 2 - 6 All work in Building P restrooms (Sheet A4.02) is interior work. The existing walls are ceramic tile up to 7'-0" with painted gypsum wallboard above.

Attachments:

500 Gal Snyder Septic Tank Cut Sheet



12" SEPTIC/CISTERN RISER WORKSHOP GREY [P/N 516000W95301] - OPTIONAL - NOT SHOWN

500 LOW PROFILE SINGLE COMPARTMENT - PLUMBED

(all dimensions in inches)

PART #	TANK: 1000900W95301 (M)
	HDLPE/WGRY
REF#: 0000	04/02/07